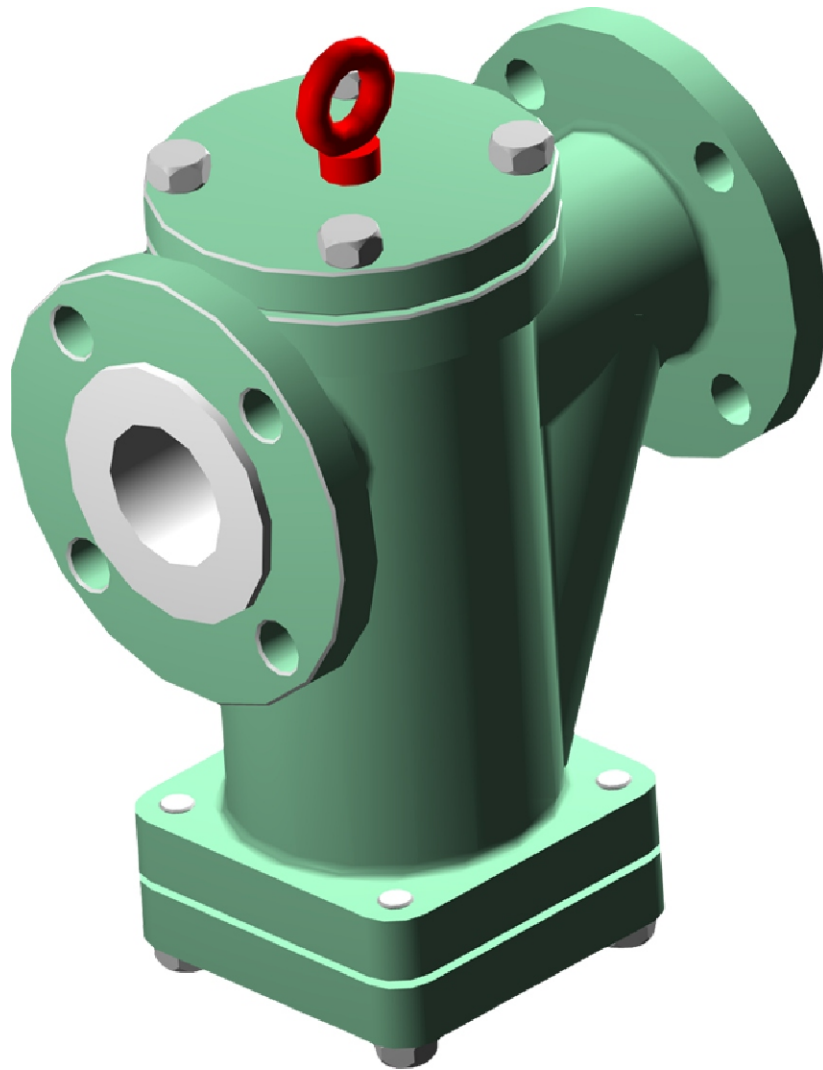




STAINER VALVE



KNS - An Antico Venture

ANTICO with 30 years of experience in Corrosion Resistant Pumps for Chemical Industry introduces FLUOROPOLYMER Lined Flow Control Products under the brand, KNS. Our range includes Lined Ball Valves, Lined Plug Valves, Lined Bottom Drain Valves. We also have a range of Accessories which includes Lined Strainers, Sight Flow Indicators, Ball Check Valves.

Keeping with ANTICO's tradition of supplying nothing but the best quality, KNS uses Virgin Unpigmented resin. We use resins from world renowned companies such as Daikin and Asahi.

KNS' in house molding facility and dedicated staff ensure world class quality and reliability.

Industries Served

- Acid Transfer
- Bleach Chemicals
- Chlor Alkali
- Liquor
- Pharmaceutical

Features

PFA/FEP Lining offers highest corrosion resistance. Minimum Lining Thickness of 3mm, Lining locked by Multiple Locking Grooves.

Outer body Graded Cast Iron as per ASTM Standard other Materials available on request.

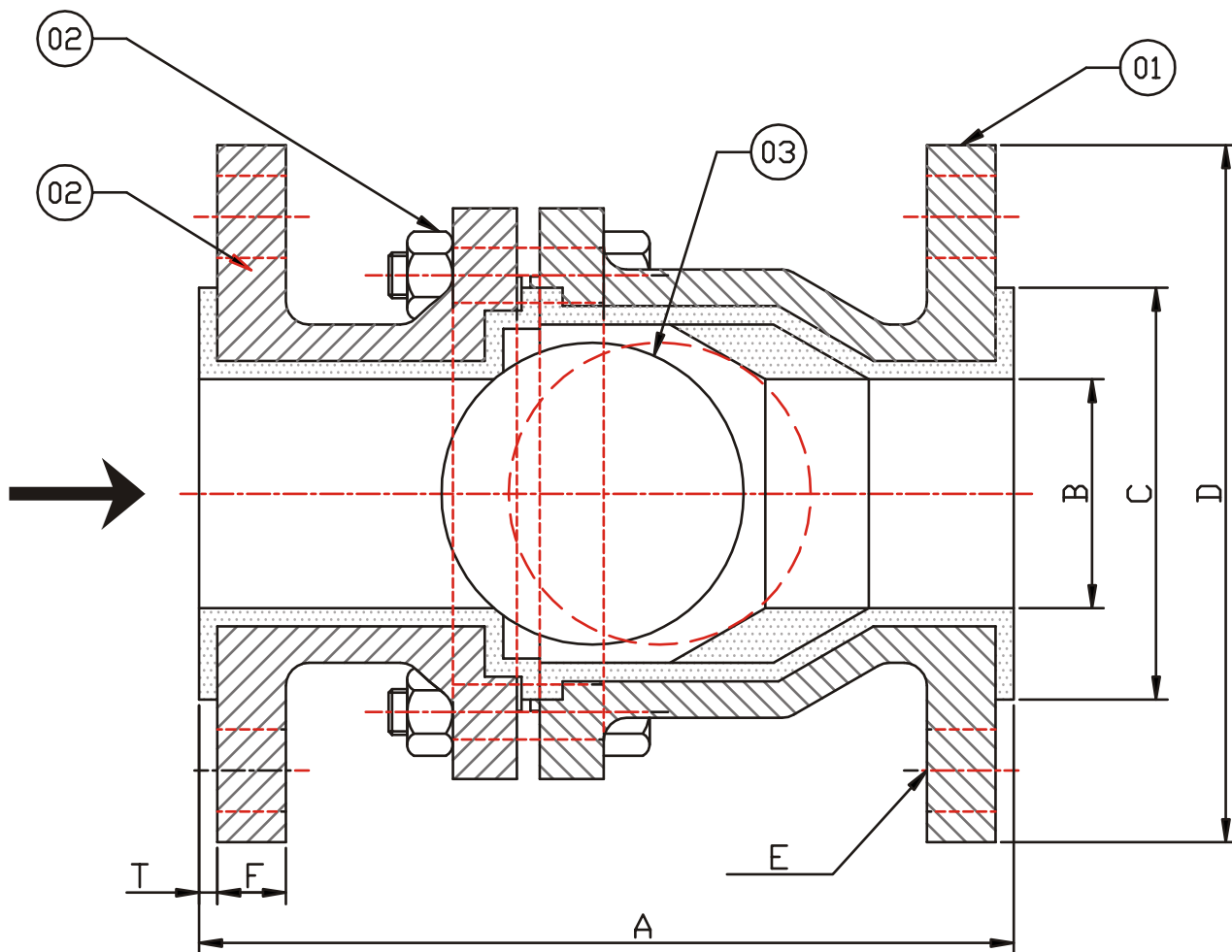
Two piece full port standard lined ball valves which offer high stability, rigidity eliminating potential leak path.

Full port design minimizes pressure losses and increases flow capacities thus reducing energy and pumping costs.

Bubble tight shut off: precision machined ball and seat ensures leak free Valve.

One-piece ball & Stem: no possibility of damaging PFA/FEP Lining on ball by the stem.

Technical Data



SIZE	A	B	C	D	E			F	T
					P.C.D.	HOLE	Nos.		
25 NB	127	25	51	108	79.5	16	4	11.2	3.5
40 NB	165	40	73	127	98.5	16	4	14.2	3.5
50 NB	178	50	92	152	121	19	4	16	4
80 NB	203	75	127	191	152	19	4	19	4
100 NB	229	100	157	229	190	19	8	24	4

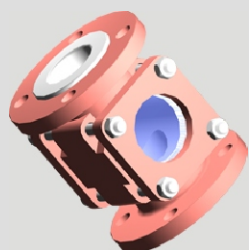
All Dimensions in mm

COMPONENTS	MATERIAL OF CONSTRUCTION
BODY	GC, CS, SS WITH LINING
BALL WITH STEM	WCB, SS
BALL & BALL LINING	PFA, FEP
SEAT & SEAL	PTFE

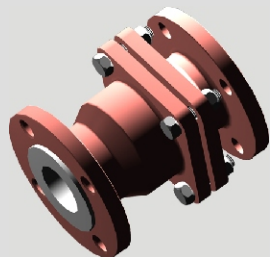
Product Range



PFA / PFA Lined Ball Valve with PTFE / PVDF / FEP Basket.
PTFE Mesh available on request. Sizes from 25NB to 100 NB



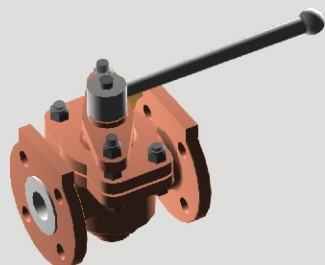
PFA / PFA Lined Ductile Iron 2 way / 3 way Sight Glass Indicator.
Sizes from 25NB to 80NB



PFA / PFA Lined Ductile Iron Check valve with Solid / Hollow Ball
Sizes from 25NB to 100 NB



PFA / PFA Lined Ductile Iron Flush Bottom Valves. Sizes available
as per custom requirement.



PFA / FEP Lined Ductile Iron Plug Valves. Sizes from 25 NB to 100 NB

KNS Lined Products Pvt. Ltd.

14, Hind Service Industries, 2nd Floor,
Off V. S. Road, Shivaji Park,
Mumbai 400 028

Tel: +91 22 2445 3501 , 2446 8340 , 2446 6496

Fax: +91 22 2444 9271

info@knslinedproducts.com www.knslinedproducts.com