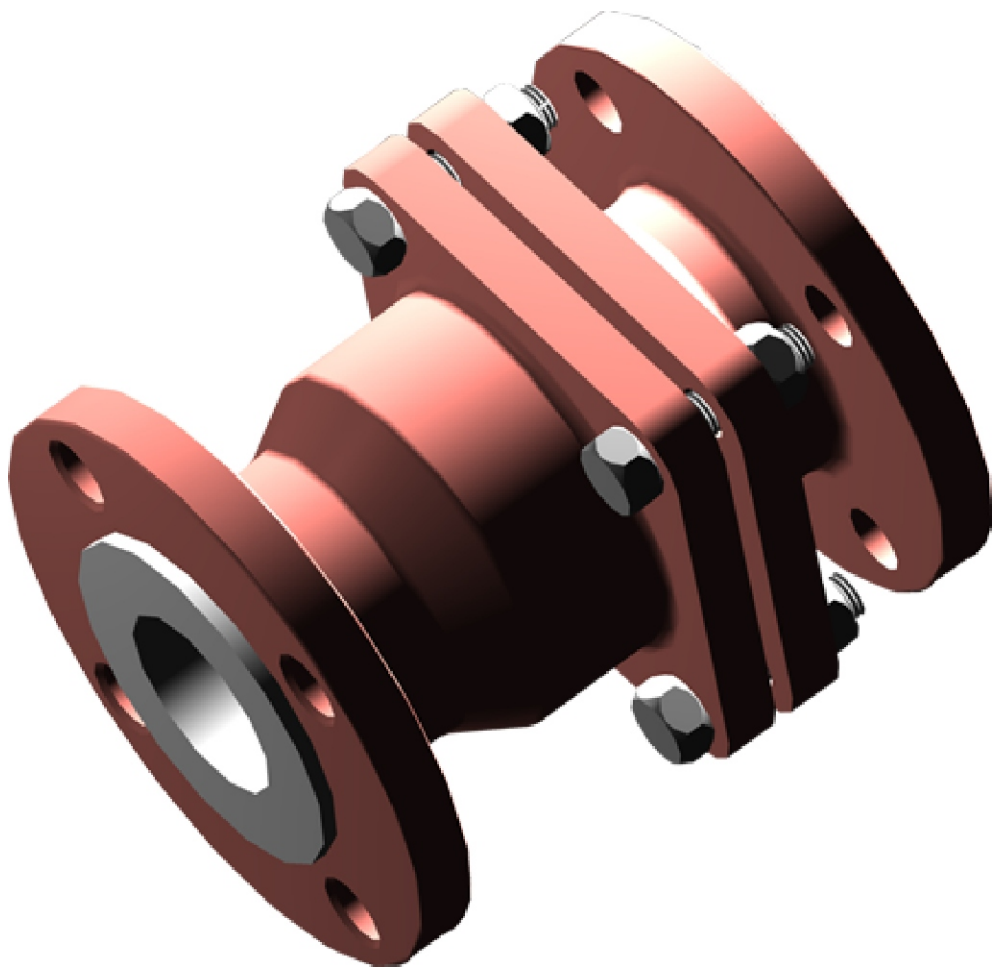




# CHECK VALVE



# KNS - An Antico Venture

ANTICO with 30 years of experience in Corrosion Resistant Pumps for Chemical Industry introduces FLUOROPOLYMER Lined Flow Control Products under the brand, KNS. Our range includes Lined Ball Valves, Lined Plug Valves, Lined Bottom Drain Valves. We also have a range of Accessories which includes Lined Strainers, Sight Flow Indicators, Ball Check Valves.

Keeping with ANTICO's tradition of supplying nothing but the best quality, KNS uses Virgin Unpigmented resin. We use resins from world renowned companies such as Daikin and Asahi.

KNS' in house molding facility and dedicated staff ensure world class quality and reliability.

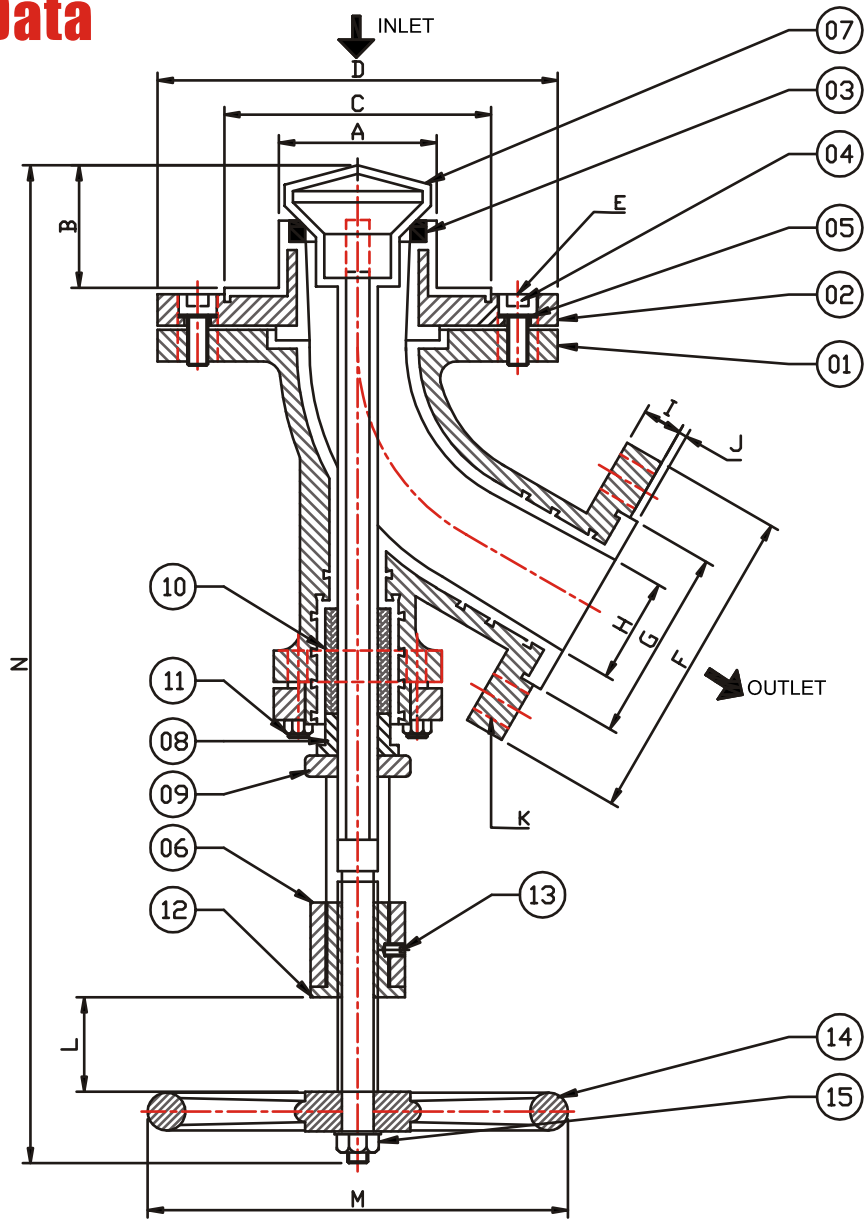
## Features

This two piece body design check valve provides high stability rigidity eliminating potential leak path. It can be installed either vertically or horizontally depending on the type of application. Ball is made of Solid PTFE with Liner Materials of PFA/ FEP giving outstanding corrosion resistance. Full port Design thus offers excellent flow characteristics.

## Industries Served

- Acid Transfer
- Bleach Chemicals
- Chlor Alkali
- Liquor
- Pharmaceutical

# Technical Data



SIZE OUT-IN	A	B	C	D	E			F	G	H	I	J	K			L	M	N
					P.C.D.	HOLE	Nos.						P.C.D.	HOLE	Nos.			
25x40	-	-	-	-	-	-	-	-	-	-	-	-	-	-	-	-	-	-
40x50	-	-	-	-	-	-	-	-	-	-	-	-	-	-	-	-	-	-
50x80	75	32	127	190.5	-	-	-	152	93	48	19	4	121	19	4	45	200	475
80x100	100	36	157	229	-	-	-	190.2	127	75	19	4	152.4	19	4	45	250	564
100x150	152	48	209	280	-	-	-	229	157	100	19	4	190.5	19	8	50	250	722

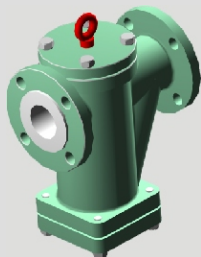
All Dimensions in mm

COMPONENTS	MATERIAL OF CONSTRUCTION
BODY	GC WITH LINED
BALL WITH STEM	WCB, SS
BALL & BALL LINING	PFA, FEP
SEAT & SEAL	PTFE

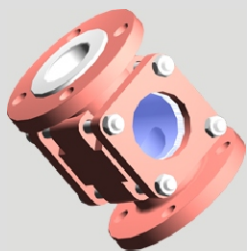
# Product Range



PFA / PFA Lined Ball Valve with PTFE / PVDF / FEP Basket.  
PTFE Mesh available on request. Sizes from 25NB to 100 NB



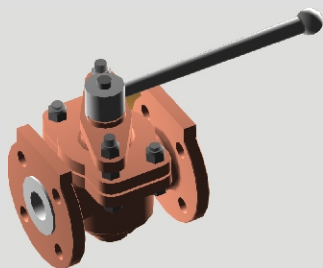
PFA / PFA Lined Ductile Iron Strainer with PTFE / PVDF / FEP  
Basket. PTFE Mesh available on request. Sizes from 25NB to 100 NB



PFA / PFA Lined Ductile Iron 2 way / 3 way Sight Glass Indicator.  
Sizes from 25NB to 80NB



PFA / PFA Lined Ductile Iron Flush Bottom Valves. Sizes available  
as per custom requirement.



PFA / FEP Lined Ductile Iron Plug Valves. Sizes from 25 NB to 100 NB

## KNS Lined Products Pvt. Ltd.

14, Hind Service Industries, 2nd Floor,  
Off V. S. Road, Shivaji Park,  
Mumbai 400 028  
Tel: +91 22 2445 3501 , 2446 8340 , 2446 6496  
Fax: +91 22 2444 9271  
info@knslinedproducts.com www.knslinedproducts.com