



LINED BALL CHECK VALVES



KNS - An Antico Venture

ANTICO with 30 years of experience in Corrosion Resistant Pumps for Chemical Industry introduces FLUOROPOLYMER Lined Flow Control Products under the brand, KNS. Our range includes Lined Ball Valves, Lined Plug Valves, Lined Bottom Drain Valves. We also have a range of Accessories which includes Lined Strainers, Sight Flow Indicators, Ball Check Valves.

Keeping with ANTICO's tradition of supplying nothing but the best quality, KNS uses Virgin Unpigmented resin. We use resins from world renowned companies such as Daikin and Asahi.

KNS' in house molding facility and dedicated staff ensure world class quality and reliability.

Features

PFA/FEP Lining offers highest corrosion resistance. Minimum lining thickness of 3mm, lining locked by multiple locking grooves. Ball is made of solid PTFE.

Outer body graded cast iron as per ASTM Standard, other materials like cast steel / stainless steel available on request.

2-piece body design high stability rigidity eliminating potential leak path.

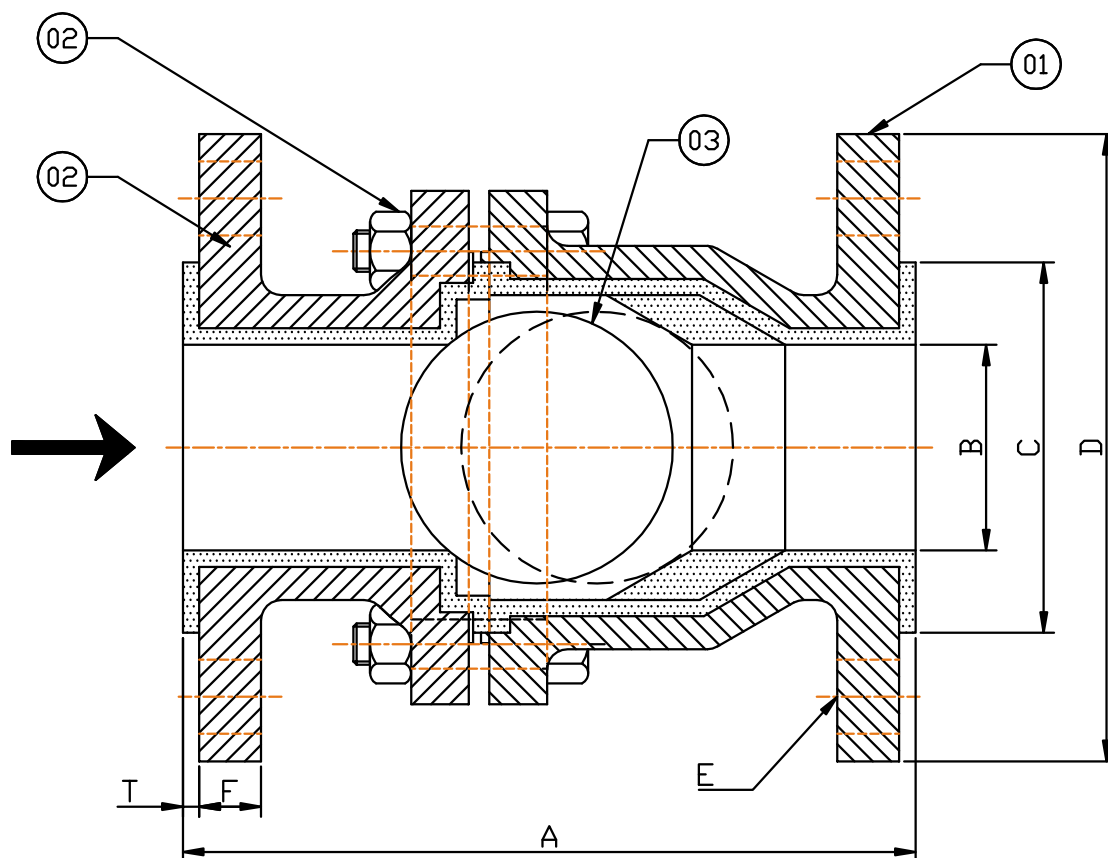
Full port design minimizes pressure losses and increases flow capacities thus reducing energy and pumping costs.

Can be installed either vertically or horizontally depending on the type of application.

Industries Served

- Acid Transfers
- Caustic & Chlor- Alkali
- Chemicals
- Pharmaceuticals
- Water Treatment

Technical Data



SIZE	A	B	C	D	E			F	G
					P.C.D.	HOLE	Nos.		
25NB	127	25	51	108	79.5	16	4	11.2	3.5
40NB	165	40	73	127	98.5	16	4	14.2	3.5
50NB	178	50	92	152	121	19	4	16	4
80NB	203	75	127	191	152	19	4	19	4
100NB	229	100	157	229	190	19	8	24	4

All Dimensions in mm

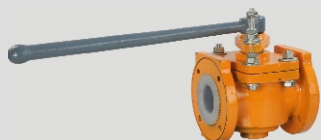
Temperature : FEP – Max: 180 °C PFA – Max: 200 °C
Flange Connection : ANSI B 16.50 Class 150
Face to Face : ANSI B 16.10
Spark Testing of PFA/FEP Lining at 15 kVA
Leak Test as per API 598

COMPONENTS	MATERIAL OF CONSTRUCTION
Body and Body End Piece	Cast Iron / Cast Steel / Stainless Steel
Body and Body End Piece Lining	PFA / FEP
Ball	PTFE
Hardware	Stainless Steel

Product Range



PFA/FEP Lined Ball Valves sizes from 25 NB to 100 NB.



PFA/FEP Lined Plug Valves. Sizes from 25 NB to 80 NB.



PFA/FEP Lined Bottom Drain Valves / Flush Bottom Valves.
Sizes from 80 NB – 50 NB to 150 NB – 100 NB



PFA/FEP Lined Basket Strainers with PTFE/FEP/PVDF Baskets.
Sizes from 25 NB to 80 NB



PFA/FEP Lined Sight Glasses 2 way & 3 way designs.
Sizes from 25 NB to 80 NB.

KNS Lined Products Pvt. Ltd.

15, Hind Service Industries, 2nd Floor,
Off V. S. Road, Shivaji Park,
Mumbai 400 028

Tel: +91 22 2445 3501 , 2446 8340 , 2446 6496

Fax: +91 22 2444 9271

info@knslinedproducts.com www.knslinedproducts.com