



# LINED BOTTOM DRAIN VALVES



# KNS - An Antico Venture

ANTICO with 30 years of experience in Corrosion Resistant Pumps for Chemical Industry introduces FLUOROPOLYMER Lined Flow Control Products under the brand, KNS. Our range includes Lined Ball Valves, Lined Plug Valves, Lined Bottom Drain Valves. We also have a range of Accessories which includes Lined Strainers, Sight Flow Indicators, Ball Check Valves.

Keeping with ANTICO's tradition of supplying nothing but the best quality, KNS uses Virgin Unpigmented resin. We use resins from world renowned companies such as Daikin and Asahi.

KNS' in house molding facility and dedicated staff ensure world class quality and reliability.

## Features

PFA/FEP Lining offers highest corrosion resistance. Minimum lining thickness of 3mm, lining locked by multiple locking grooves.

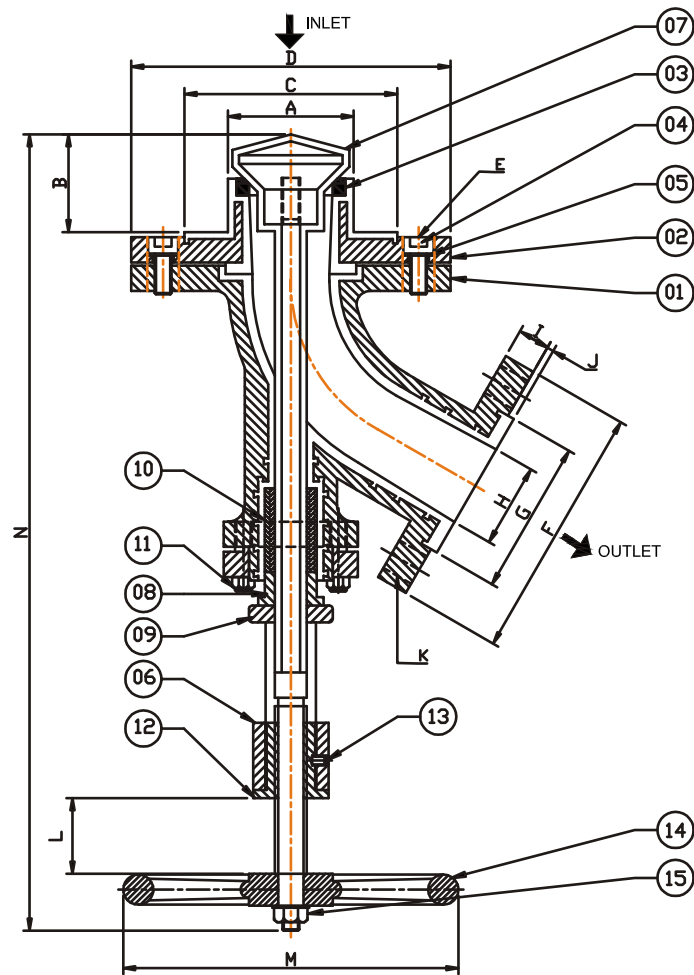
Outer body graded cast iron as per ASTM Standard, other materials like cast steel / stainless steel available on request.

Most commonly used for Free Draining & Feeding of Vessels and Reactors.

## Industries Served

- Chemicals
- Pharmaceuticals Processing

# Technical Data



SIZE IN-OUT	A	B	C	D	E*			F	G	H	I	J	K			L	M	N	#
					PCD	HOLE	Nos.						PCD	HOLE	Nos.				
40x25	-	-	-	-	-	-	-	-	-	-	-	-	-	-	-	-	-	-	-
50x40	-	-	-	-	-	-	-	-	-	-	-	-	-	-	-	-	-	-	-
80x50	75	32	127	190.5	152	-	-	152	93	48	19	4	121	19	4	45	200	475	04
100x80	100	36	157	229	-	-	-	190.5	127	75	19	4	152.4	19	4	45	250	564	08
150x100	152	48	209	280	-	-	-	229	157	100	19	4	190.5	19	8	50	250	722	08

All Dimensions in mm

TEMPERATURE : FEP – Max : 180 °C PFA – Max : 200 °C

FLANGE CONNECTION : ANSI B 16.50 Class 150, other options as per Custom Requirements.

Spark Testing of PFA/FEP Lining at 15 kVA.

Leak Test as per API 598.

COMPONENTS	MATERIAL OF CONSTRUCTION
Body, Top Plate and Bonnet	Ductile Iron / Cast Steel / Stainless Steel
Plug with Stem	Carbon Steel / Stainless Steel
Body, Top Plate and Plug with Stem Lining	PFA / FEP
Seal	PTFE
Hand Wheel	Ductile Iron
Hardware	Stainless Steel

# Product Range



PFA/FEP Lined Ball Valves sizes from 25 NB to 100 NB.



PFA/FEP Lined Plug Valves. Sizes from 25 NB to 80 NB.



PFA/FEP Lined Basket Strainers with PTFE/FEP/PVDF Baskets.  
Sizes from 25 NB to 80 NB



PFA/FEP Lined Sight Glasses 2 way & 3 way designs.  
Sizes from 25 NB to 80 NB.



PFA/FEP Lined Ball Check Valves. Sizes from 25 NB to 100 NB.

## KNS Lined Products Pvt. Ltd.

15, Hind Service Industries, 2nd Floor,  
Off V. S. Road, Shivaji Park,  
Mumbai 400 028

Tel: +91 22 2445 3501 , 2446 8340 , 2446 6496

Fax: +91 22 2444 9271

info@knslinedproducts.com www.knslinedproducts.com