



LINED PLUG VALVES



KNS - An Antico Venture

ANTICO with 30 years of experience in Corrosion Resistant Pumps for Chemical Industry introduces FLUOROPOLYMER Lined Flow Control Products under the brand, KNS. Our range includes Lined Ball Valves, Lined Plug Valves, Lined Bottom Drain Valves. We also have a range of Accessories which includes Lined Strainers, Sight Flow Indicators, Ball Check Valves.

Keeping with ANTICO's tradition of supplying nothing but the best quality, KNS uses Virgin Unpigmented resin. We use resins from world renowned companies such as Daikin and Asahi.

KNS' in house molding facility and dedicated staff ensure world class quality and reliability.

Industries Served

- Acid Transfers
- Caustic & Chlor- Alkali
- Chemicals
- Pharmaceuticals
- Water Treatment

Features

PFA/FEP Lining offers highest corrosion resistance. Minimum lining thickness of 3mm, lining locked in dove tail grooves, slots and Holes in the body & plug castings. This prevents Liner collapse in vacuum conditions and blow out in high pressure conditions.

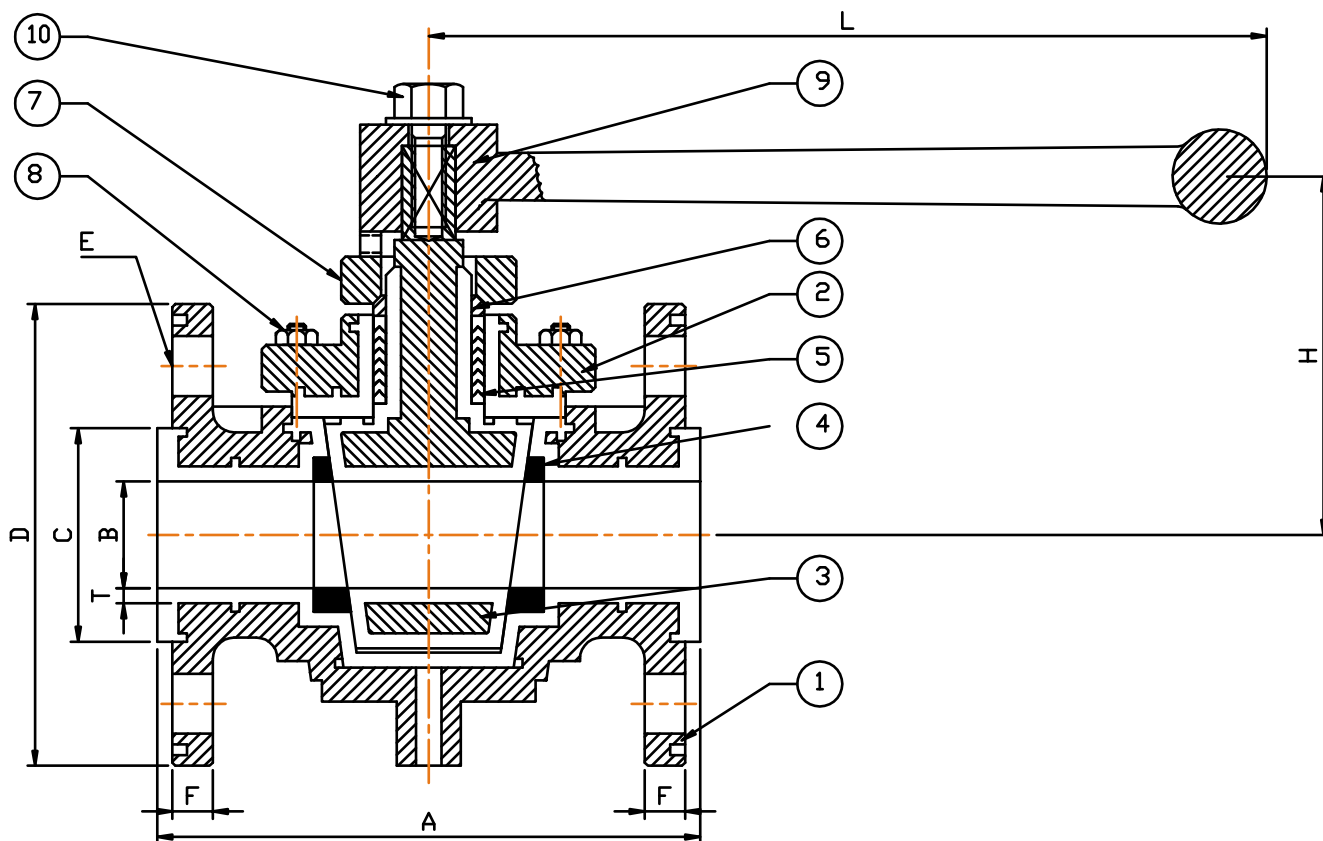
Outer body graded cast iron as per ASTM Standard, other materials like cast steel / stainless steel available on request.

2 Way cavity free design prevents accumulation of particulate matter making it an ideal choice for slurry applications.

The seal from this plug valve is created by the interface of the plug & the liner. The outside of the plug and the body cavity are at a taper of 2°. The wedge action results in a tight shut-off. Because the Seal is created because of compression it is bi-directional sealing on both upstream and downstream sides.

Adjustment bolts on the top cover can be utilized for external adjustment of in-line seal.

Technical Data



SIZE	A	B	C	D	E			F	H	L	T
					P.C.D.	HOLE	Nos.				
25 NB	127	Ø25	Ø51	Ø108	Ø79.5	Ø16	4	11.2	84	170	3.5
40 NB	165	Ø40	Ø73	Ø127	Ø98.5	Ø16	4	14.2	107	285	3.5
50 NB	178	Ø50	Ø92	Ø152	Ø121	Ø19	4	16	117	432	4
80 NB	203	Ø75	Ø127	Ø191	Ø152	Ø19	4	19	135	584	4
100 NB	229	Ø100	Ø157	Ø229	Ø190	Ø19	8	24	158	735	4

All Dimensions in mm

TEMPERATURE : FEP – Max: 180 °C PFA – Max: 200 °C
FLANGE CONNECTION : ANSI B 16.50 Class 150
FACE TO FACE : ANSI B 16.10
Spark Testing of PFA/FEP Lining at 15 kVA
Leak Test as per API 598

COMPONENTS	MATERIAL OF CONSTRUCTION
Body, Bonnet and Gland Plate	Ductile Iron / Cast Steel / Stainless Steel
Plug	Cast Steel / Stainless Steel
Body, Bonnet and Plug Lining	PFA / FEP
Seal	PTFE
Handle	Ductile Iron
Hardware	Stainless Steel

Product Range



PFA/FEP Lined Ball Valves sizes from 25 NB to 100 NB.



PFA/FEP Lined Bottom Drain Valves / Flush Bottom Valves.
Sizes from 80 NB – 50 NB to 150 NB – 100 NB



PFA/FEP Lined Basket Strainers with PTFE/FEP/PVDF Baskets.
Sizes from 25 NB to 80 NB



PFA/FEP Lined Sight Glasses 2 way & 3 way designs.
Sizes from 25 NB to 80 NB.



PFA/FEP Lined Ball Check Valves. Sizes from 25 NB to 100 NB.

KNS Lined Products Pvt. Ltd.

15, Hind Service Industries, 2nd Floor,
Off V. S. Road, Shivaji Park,
Mumbai 400 028

Tel: +91 22 2445 3501 , 2446 8340 , 2446 6496

Fax: +91 22 2444 9271

info@knslinedproducts.com www.knslinedproducts.com